

Technical data sheet



Product features

Cooking range electric with static electric oven GN 2/1 - 4x plate 400 V

Model	SAP Code	00110121
--------------	-----------------	----------



- Device type: Electric unit
- Power consumption of the zone 1 [kW]: 2,6
- Power consumption of the zone 2 [kW]: 2,6
- Power consumption of the zone 3 [kW]: 2,6
- Power consumption of the zone 4 [kW]: 2,6
- Type of internal part of the appliance 1 (eg oven): Electric
- Type of internal part of the appliance 2 (eg oven): Static
- Protection of controls: IPX4
- Material: AISI 304 top plate, AISI 430 cladding

SAP Code	00110121	Power consumption of the zone 2 [kW]	2,6
Net Width [mm]	800	Power consumption of the zone 3 [kW]	2,6
Net Depth [mm]	700	Power consumption of the zone 4 [kW]	2,6
Net Height [mm]	900	Type of internal part of the appliance 1 (eg oven)	Electric
Net Weight [kg]	89.00	Type of internal part of the appliance 2 (eg oven)	Static
Power electric [kW]	16.700	Width of internal part [mm]	682
Loading	400 V / 3N - 50 Hz	Depth of internal part [mm]	558
Number of zones	4	Height of internal part [mm]	348
Power consumption of the zone 1 [kW]	2,6	Diameter of device [mm]	220

Technical data sheet



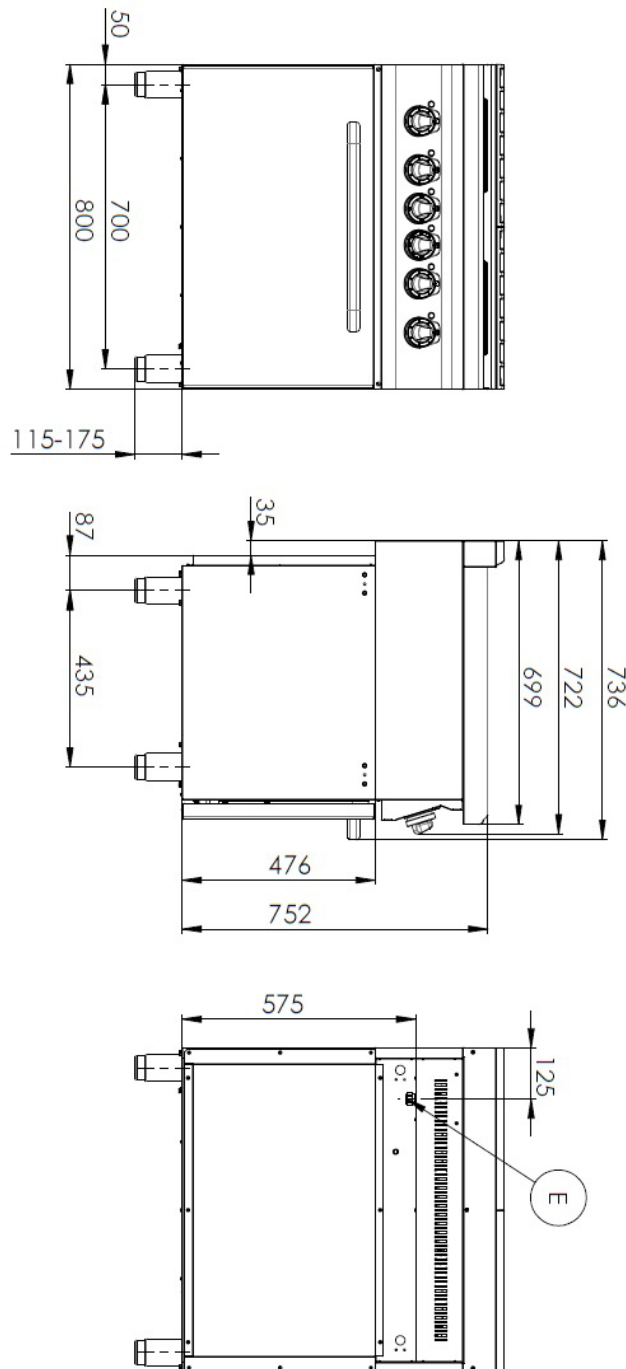
Technical drawing

Cooking range electric with static electric oven GN 2/1 - 4x plate 400 V

Model

SAP Code

00110121



Cooking range electric with static electric oven GN 2/1 - 4x plate 400 V

Model	SAP Code	00110121
--------------	-----------------	----------

1

Round plates

- quick warm-up
efficient cooking on a round surface with easy
adhesion to dishes
- time-saving in food preparation
 - easy to use thanks to the large surface area of the
cooking plates

2

Internal thermostatic plate protection

- longer service life of the plates
- no overheating of the plates and no cracking

3

Degree of protection of the control elements IPX4

- maintenance-free system
resistance to splash water
long life
- savings on service interventions
 - easy cleaning and maintenance of equipment

4

All-stainless design

- long life
resistance of a ground steel plate with
a thickness of 10 mm
- savings on service interventions
 - higher corrosion resistance

5

Hygienic moldings of the top plate

- absence of sharp corners and edges (potential places
where dirt could stick)
smooth transitions
- easy quick cleaning

6

Large electric oven with four positions for racks with static cooking

- static baking
high capacity and variability
all-stainless design
- suitable for yeast dishes and desserts
 - long service life
 - easy to clean

Technical data sheet



Technical parameters

Cooking range electric with static electric oven GN 2/1 - 4x plate 400 V

Model	SAP Code	00110121
--------------	-----------------	----------

1. SAP Code:

00110121

2. Net Width [mm]:

800

3. Net Depth [mm]:

700

4. Net Height [mm]:

900

5. Net Weight [kg]:

89.00

6. Gross Width [mm]:

840

7. Gross depth [mm]:

800

8. Gross Height [mm]:

975

9. Gross Weight [kg]:

102.00

10. Device type:

Electric unit

11. Construction type of device:

With substructure

12. Power electric [kW]:

16.700

13. Loading:

400 V / 3N - 50 Hz

14. Protection of controls:

IPX4

15. Exterior color of the device:

Stainless steel

16. Material:

AISI 304 top plate, AISI 430 cladding

17. Worktop type:

Molded - comfortable cleaning maintenance

18. Worktop material:

AISI 304

19. Worktop Thickness [mm]:

1.20

20. Number of zones:

4

21. Power consumption of the zone 1 [kW]:

2,6

22. Power consumption of the zone 2 [kW]:

2,6

23. Power consumption of the zone 3 [kW]:

2,6

24. Power consumption of the zone 4 [kW]:

2,6

25. Number of power control stages:

6

26. Adjustable feet:

Yes

27. Number of burners/hot plates:

4

28. Diameter of device [mm]:

220

Technical data sheet



Technical parameters

Cooking range electric with static electric oven GN 2/1 - 4x plate 400 V

Model

SAP Code

00110121

29. Type of electric cooking zones:

Oval

30. Oven Type:

electrical static

31. Oven power electric [kW]:

6.30

32. Oven size:

GN 2/1

33. Type of internal part of the appliance 1 (eg oven):

Electric

34. Type of internal part of the appliance 2 (eg oven):

Static

35. Width of internal part [mm]:

682

36. Depth of internal part [mm]:

558

37. Height of internal part [mm]:

348

38. Maximum temperature of the inner chamber [°C]:

300

39. Minimum temperature of the inner chamber [°C]:

50

40. Cross-section of conductors CU [mm²):

5

- Výkon (kW): 37 a více (230 V); 64 a více (400 V)